

190 Watt Photovoltaic Module

UL-190M40W

The UL-190M40W is an advanced 190W module that uses cells with anti-reflective SiN4 coating. This module offers a superior price-performance relationship due to its 84 advanced mono-crystalline cells connected in series.

Performance

Rated power	190w
Tolerance	+/-5%
Module efficiency	12.8%
Nominal voltage	40V
Warranty (质保)	80% power output over 25 years. Free from defects in materials and workmanship for 5 years.

Qualification Test Parameters

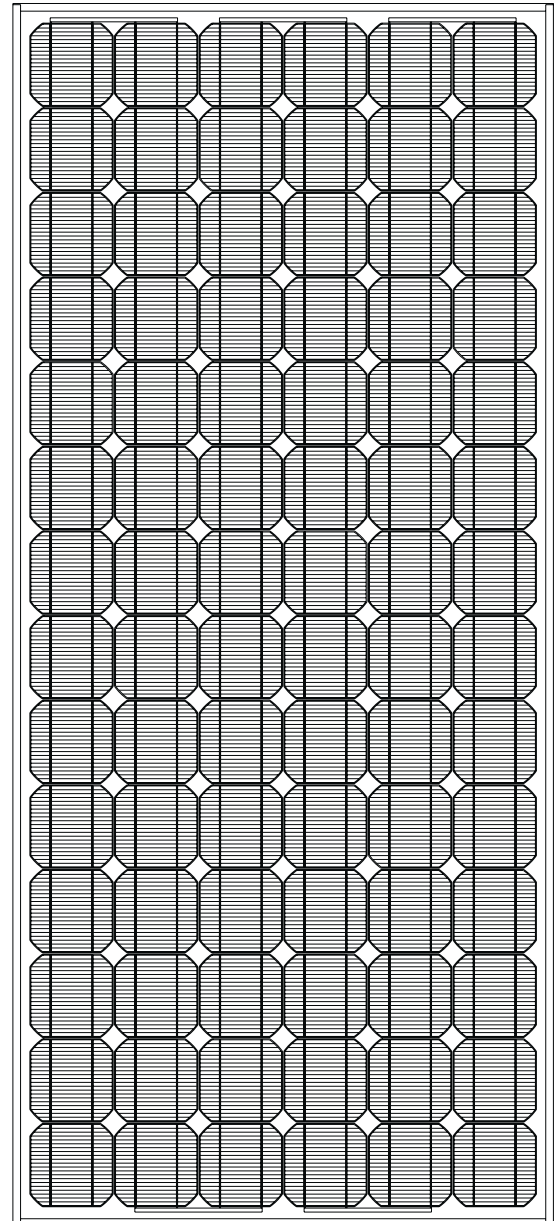
Temperature cycling range	-40°C to +85°C for 200 cycles
Surface Maximum Load Capacity (e.g snow)	60m/s (200kg/sq.m)
Hailstone impact test	270g Steel Boll fall From 1m height

Quality and Safety

ISO 9001
CE
IEC 61215

Typical Electrical Characteristics

Maximum power (Pmax)	190W
Voltage at Pmax (Vmp)	40V
Current at Pmax (Imp)	4.75A
Short circuit current (Isc)	5.18A
Open circuit voltage (Voc)	50.4V
Temperature coefficient of Isc	(0.065±0.015)%/K
Temperature coefficient of Voc	-(190±10)mV/K
Temperature coefficient of Pmax	-(0.5±0.05)%/K
NOCT (Air 20°C; Sun 800W/m2; wind speed 1m/s)	47±2°C
Maximum series fuse rating	7A
Maximum system voltage	1000V



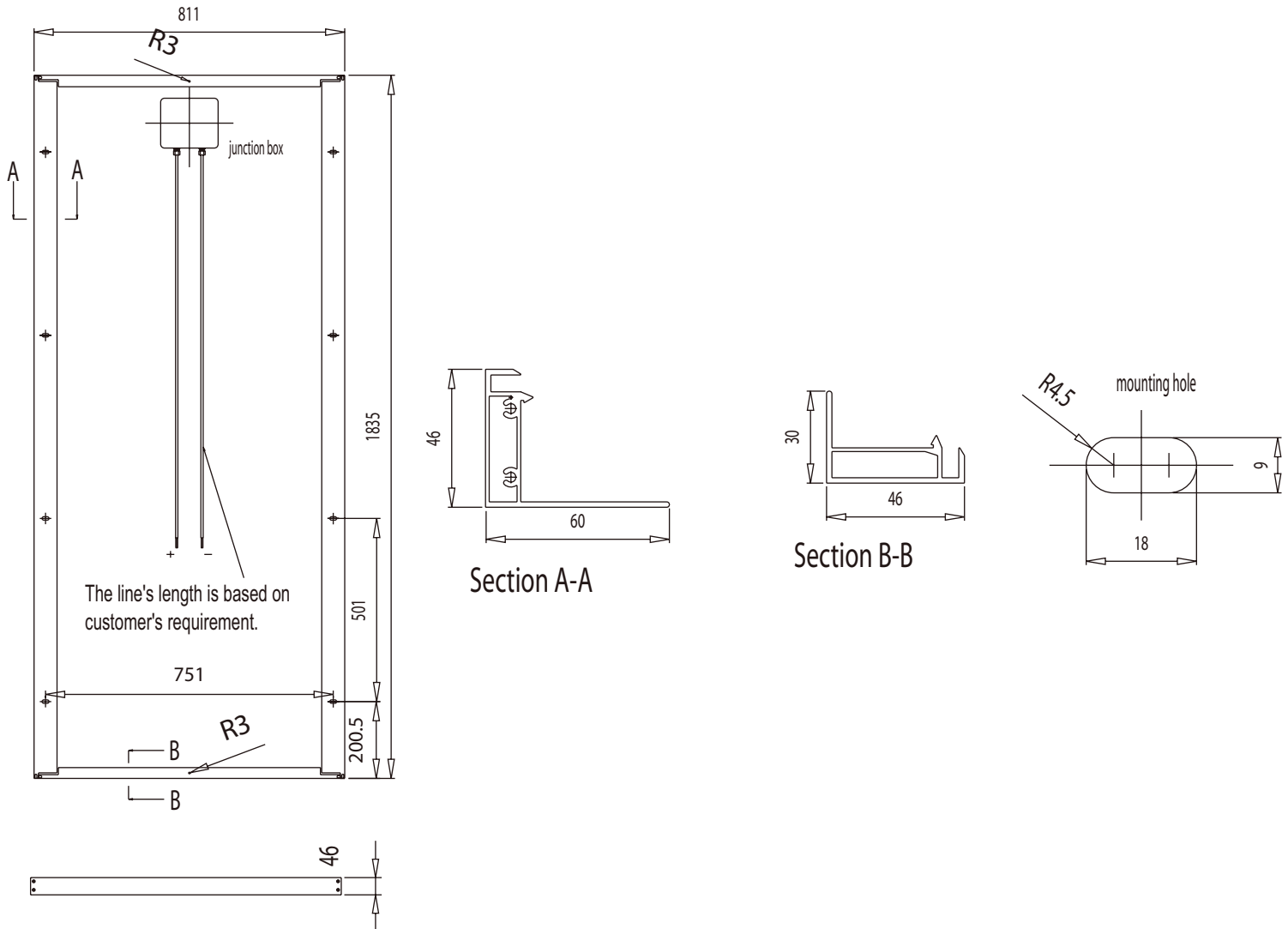
Standard test conditions - irradiance of 1000W/m² at an AM1.5G solar spectrum and a cell temperature of 25°C.

190 Watt Photovoltaic Module

UL-190M40W

SHANSHAN
ULICA SOLAR
SCIENCE &
TECHNOLOGY
CO., LTD.

Module Diagram



Mechanical Characteristics

Dimensions (mm)	1835 x 811 x 46
Overall tolerances	+/-3mm
Weight (kg)	18.0
Frame	Clear anodized aluminum alloy type 6063T6. Silver Universal frame
Solar cells	84 cells (125mm x 125mm) configured geometrically in a 6 x 14 matrix connected in series.

This publication summarises product warranty and specifications which are subject to change without notice.

